

## MIL-DTL-38999 Series III Type

233-274 1K PSI crimp-contact piston-sealed connectors, fuel-resistant

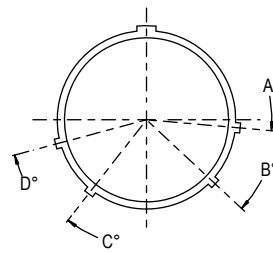
ENVIRONMENTAL CONNECTORS

Part Number Development									
Sample Part Number	233-274 - G6 NF 17 - 8 P T								
Series / Basic Part No.	233-274 = Improved panel sealing, Series 23 SuperNine with piston seal								
Panel Mount Option	See Panel Mount Option Table								
Connector Style*	G6 = Plug, EMI Spring, (D389999/26 Type) 05 = Receptacle In-Line 07 = Receptacle, Jam-Nut (D38999/24 Type) HM = Receptacle, Wall Mount with Metric Helicoils HS = Receptacle, Wall Mount with Standard Helicoils D0 = Wall mount receptacle with round holes								
Finish	NF = Al alloy/cadmium olive drab      ME = Al alloy/electroless nickel AB = Marine bronze/N.A.                  MT = Al alloy/nickel PTFE ZR = Al alloy/black zinc nickel        Z1 = SST, passivate								
Shell Size	A (9), B (11), C (13), D (15), E (17), F (19), G (21), H (23), J (25)								
Ground Option	G = Common Ground - (Dash) = None								
Insert Arrangements*	Per MIL-STD-1560								
Contact Type	P = Pin, gold over copper alloy      A = Pin insert less contacts      H = Pin, Pd/Ni 1500 cycles S = Socket, gold over copper alloy    B = Socket insert less contacts    J = Socket, Pd/Ni 1500 cycles								
Alternate Polarization	V, W, X, Y, Z, T = Normal (IAW MIL-DTL-38999 Series III); see key or keyway position tables								

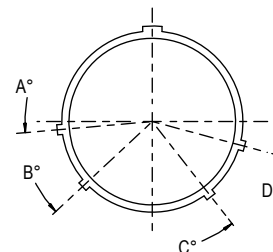
\*Refer to Section A for complete details

Panel Mount Option	
Code	Description
-	Standard MIL-DTL- 38999 Panel Mount Configuration
PS	Improved Panel Sealing (Double O-Ring) Configuration; See 233PS274 Sales Drawing

Key Positions (Plug)				
Alternate Key Code	A°	B°	C°	D°
T	95	135	220	275
V	92	127	253	325
W	70	113	235	322
X	35	135	210	285
Y	54	150	239	314
Z	81	126	202	250



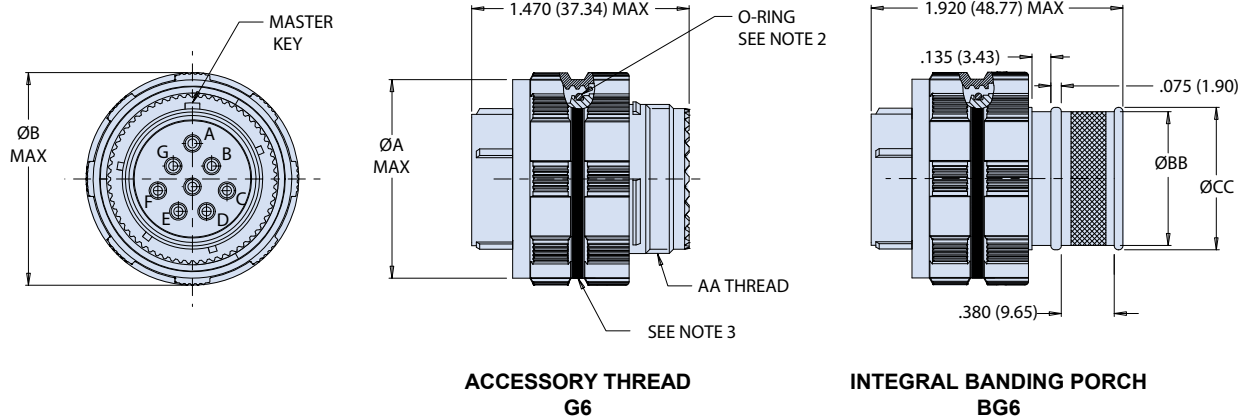
Keyway Positions (Receptacle)				
Alternate Keyway Code	A°	B°	C°	D°
T	95	135	220	275
V	92	127	253	325
W	70	113	235	322
X	35	135	210	285
Y	54	150	239	314
Z	81	126	202	250



**MIL-DTL-38999 Series III Type**

**233-274 1K PSI crimp-contact piston-sealed connectors, fuel-resistant**

**G6 AND BG6 - PISTON SEALED PLUG WITH CRIMP CONTACTS**



**ACCESSORY THREAD  
G6**

**INTEGRAL BANDING PORCH  
BG6**

Dimensions			
SHELL SIZE	øA MAX	øB MAX	AA THREAD
09	0.815	0.875	M12 X 1.0-6g 0.100R
11	0.928	0.988	M15 X 1.0-6g 0.100R
13	1.089	1.149	M18 X 1.0-6g 0.100R
15	1.214	1.274	M22 X 1.0-6g 0.100R
17	1.367	1.427	M25 X 1.0-6g 0.100R
19	1.464	1.524	M28 X 1.0-6g 0.100R
21	1.589	1.649	M31 X 1.0-6g 0.100R
23	1.714	1.774	M34 X 1.0-6g 0.100R
25	1.839	1.899	M37 X 1.0-6g 0.100R

Band Platform Dimensions			
SHELL SIZE CODE	SHELL SIZE	øBB	øCC
A	9	.420 (10.67)	.465 (11.81)
B	11	.550 (13.97)	.595 (15.11)
C	13	.670 (17.02)	.715 (18.16)
D	15	.815 (20.70)	.860 (21.84)
E	17	.945 (24.00)	.990 (25.15)
F	19	1.050 (26.67)	1.100 (27.94)
G	21	1.170 (29.72)	1.220 (30.99)
H	23	1.290 (32.77)	1.340 (34.04)
J	25	1.400 (35.56)	1.450 (36.83)

**NOTES**

- 233-274 connectors are designed to meet the general requirements of D38999/20, /24, /26 and MIL-STD-1560
  - Glenair 233-274 receptacles can be installed into standard panel cutouts (Note: special panel cutouts required for 233PS274 configuration)
  - Glenair 233-274-\*\*-\*\* connector accessory threads accept standard backshells
  - Glenair 233-274 connectors accept standard AS39029 type contacts
  - Glenair 233-274 connectors cannot be mated to standard MIL-DTL38999 connectors or protective covers
- 233-274 is designed to meet requirements of fuel resistance per MIL-F-8615 and explosion proof test MIL-STD-810, Method 511.7, procedure 1 when full mated or protected with 239-200 dust cover. Cable sealing and panel sealing capability dependent on customer installation. For full performance specification and complete list of compatible fluids, see GT-20-XXXX.
- Blue color band indicates rear release retention system.
- Connector is supplied with contacts (including spares), insertion/removal tool, and sealing plugs where indicated in table III. Consult factory for crimp tools and/or accessory selection.
- Ground plane option only available for insert arrangements where all contacts are shielded type and are ordered less contacts. for use with non-keyed shielded type contact only

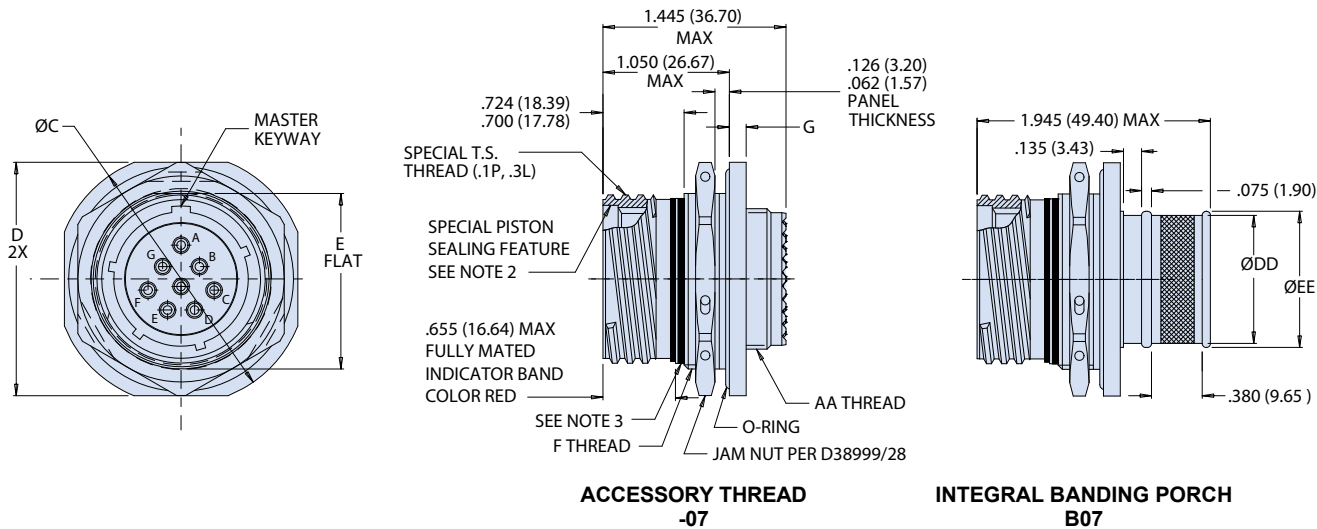
ENVIRONMENTAL CONNECTORS

## MIL-DTL-38999 Series III Type

233-274 1K PSI crimp-contact piston-sealed connectors, fuel-resistant

ENVIRONMENTAL CONNECTORS

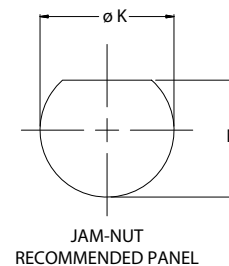
### -07 AND B07 - JAM-NUT RECEPTACLE WITH ACCESSORY THREADS OR BANDING PORCH, CRIMP CONTACTS



Dimensions						
SHELL SIZE	ØC	D	E FLAT	F THREAD	AA THREAD	G
09	1.200 (30.48)	1.078 (27.38)	0.655 (16.64)	M17 X 1.0-6g 0.100R	M12 X 1.0-6g 0.100R	0.122 (3.10) 0.083 (2.11)
	1.178 (29.92)	1.048 (26.62)	0.645 (16.38)			
11	1.386 (35.20)	1.268 (32.21)	0.755 (19.18)	M20 X 1.0-6g 0.100R	M15 X 1.0-6g 0.100R	
	1.362 (34.59)	1.236 (31.39)	0.745 (18.92)			
13	1.512 (38.40)	1.390 (35.31)	0.942 (23.93)	M25 X 1.0-6g 0.100R	M18 X 1.0-6g 0.100R	
	1.488 (37.80)	1.358 (34.49)	0.932 (23.67)			
15	1.638 (41.61)	1.516 (38.51)	1.066 (27.08)	M28 X 1.0-6g 0.100R	M22 X 1.0-6g 0.100R	
	1.614 (41.00)	1.484 (37.69)	1.056 (26.82)			
17	1.764 (44.81)	1.642 (41.71)	1.191 (30.25)	M32 X 1.0-6g 0.100R	M25 X 1.0-6g 0.100R	
	1.740 (44.20)	1.610 (40.89)	1.181 (30.00)			
19	1.949 (49.50)	1.827 (46.41)	1.316 (33.43)	M35 X 1.0-6g 0.100R	M28 X 1.0-6g 0.100R	
	1.925 (48.90)	1.795 (45.59)	1.306 (33.17)			
21	2.075 (52.71)	1.953 (49.61)	1.441 (36.60)	M38 X 1.0-6g 0.100R	M31 X 1.0-6g 0.100R	
	2.051 (52.10)	1.921 (48.79)	1.431 (36.35)			
23	2.201 (55.91)	2.079 (52.81)	1.566 (39.78)	M41 X 1.0-6g 0.100R	M34 X 1.0-6g 0.100R	
	2.177 (55.30)	2.047 (51.99)	1.556 (39.52)			
25	2.323 (59.00)	2.205 (56.01)	1.691 (42.95)	M44 X 1.0-6g 0.100R	M37 X 1.0-6g 0.100R	
	2.299 (58.39)	2.173 (55.19)	1.681 (42.70)			

Band Platform Dimensions			
SHELL SIZE CODE	SHELL SIZE	ØDD	ØEE
A	9	.475 (12.07)	.538 (13.67)
B	11	.600 (15.24)	.662 (16.81)
C	13	.700 (17.78)	.762 (19.35)
D	15	.835 (21.21)	.898 (22.81)
E	17	.960 (24.38)	1.022 (25.96)
F	19	1.062 (26.97)	1.125 (28.58)
G	21	1.188 (30.18)	1.250 (31.75)
H	23	1.275 (32.39)	1.338 (33.99)
J	25	1.475 (37.47)	1.538 (39.07)

Jam-Nut Panel Cut-Out Dimensions							
SHELL SIZE CODE	SHELL SIZE	K DIA ±.005	N	SHELL SIZE CODE	SHELL SIZE	K DIA ±.005	N
A	9	.698 (17.73)	.661 (16.79) .656 (16.66)	E	17	1.265 (32.13)	1.205 (30.61)
				F	19	1.390 (35.31)	1.330 (33.78)
B	11	.830 (21.08)	.766 (19.46)	G	21	1.515 (38.48)	1.455 (36.96)
C	13	1.015 (25.78)	.950 (24.13)	H	23	1.640 (41.66)	1.580 (40.13)
D	15	1.140 (28.96)	1.080 (27.43)	J	25	1.765 (44.83)	1.705 (43.31)

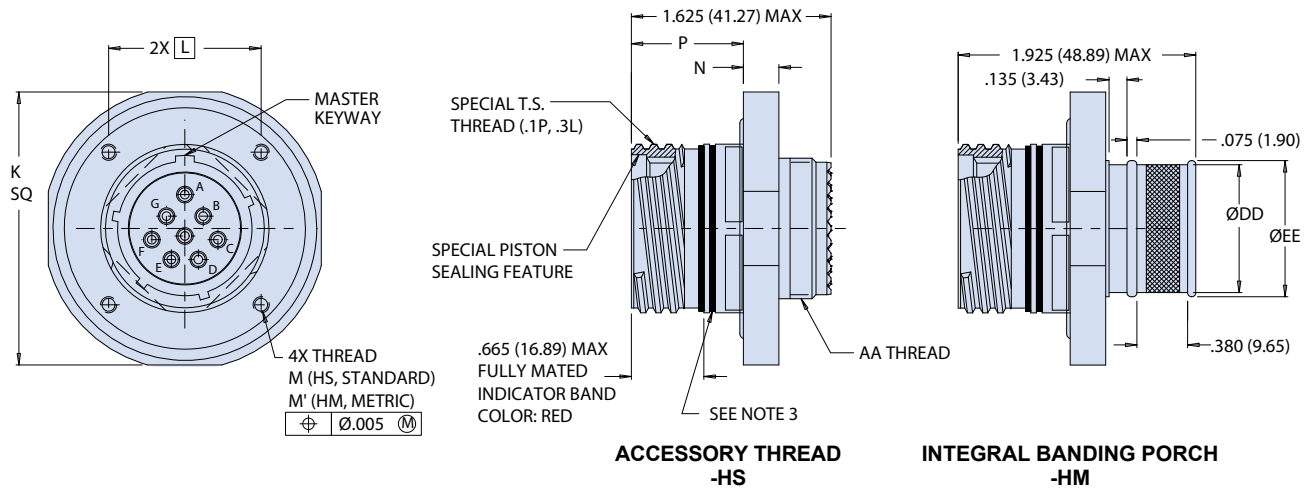


## MIL-DTL-38999 Series III Type

233-274 1K PSI crimp-contact piston-sealed connectors, fuel-resistant

ENVIRONMENTAL CONNECTORS

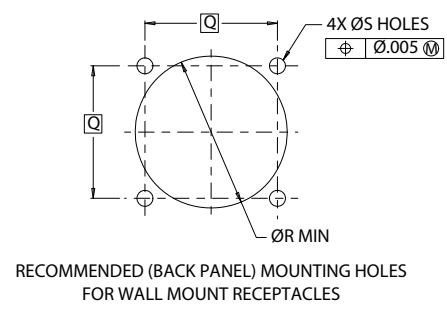
### -HS AND -HM - WALL MOUNT RECEPTACLE WITH ACCESSORY THRDS OR BANDING PORCH, CRIMP CONTACTS



Dimensions							
SHELL SIZE	K SQ	L BSC	M THD	M' THD	N	P	AA THREAD
09	1.516 (38.51) 1.484 (37.69)	0.719 (18.26)	#4-40 UNC-2B ∇0.225 (5.72) 0.220 (5.59)	M3-0.5 ∇0.225 (5.72) 0.220 (5.59)	0.285 (7.24) 0.250 (6.35)	0.968 (24.59) 0.913 (23.19)	M12 X 1.0-6g 0.100R
11	1.642 (41.71) 1.610 (40.89)	0.812 (20.62)					M15 X 1.0-6g 0.100R
13	1.827 (46.41) 1.795 (45.59)	0.906 (23.01)					M18 X 1.0-6g 0.100R
15	1.953 (49.61) 1.921 (48.79)	0.969 (24.61)					M22 X 1.0-6g 0.100R
17	2.079 (52.81) 2.047 (51.99)	1.062 (26.97)					M25 X 1.0-6g 0.100R
19	2.205 (56.01) 2.173 (55.19)	1.156 (29.36)					M28 X 1.0-6g 0.100R
21	2.334 (59.28) 2.302 (58.47)	1.250 (31.75)					M31 X 1.0-6g 0.100R
23	2.522 (64.06) 2.490 (63.25)	1.375 (34.92)	#6-32 UNC-2B ∇0.275 (6.99) 0.270 (6.86)	M4X0.7 ∇0.275 (6.99) 0.270 (6.86)	0.350 (8.89) 0.315 (8.00)	0.936 (23.77) 0.881 (22.38)	M34 X 1.0-6g 0.100R
25	2.709 (68.81) 2.677 (68.00)	1.500 (38.10)					M37 X 1.0-6g 0.100R

Band Platform Dimensions			
SHELL SIZE CODE	SHELL SIZE	øDD	øEE
A	9	.475 (12.07)	.538 (13.67)
B	11	.600 (15.24)	.662 (16.81)
C	13	.700 (17.78)	.762 (19.35)
D	15	.835 (21.21)	.898 (22.81)
E	17	.960 (24.38)	1.022 (25.96)
F	19	1.062 (26.97)	1.125 (28.58)
G	21	1.188 (30.18)	1.250 (31.75)
H	23	1.275 (32.39)	1.338 (33.99)
J	25	1.475 (37.47)	1.538 (39.07)

Wall Mount Panel Cut-Out Dimensions							
SHELL SIZE	Q BSC	ØR MIN	ØS HOLES	SHELL SIZE	Q BSC	ØR MIN	ØS HOLES
09	0.719 (18.26)	0.656 (16.66)	0.133 (3.38) 0.123 (3.12)	19	1.156 (29.36)	1.297 (32.94)	0.133 (3.38)
11	0.812 (20.62)	0.796 (20.22)		21	1.250 (31.75)	1.422 (36.12)	0.123 (3.12)
13	0.906 (23.01)	0.922 (23.42)		23	1.375 (34.92)	1.547 (39.29)	0.159 (4.04) 0.149 (3.78)
15	0.969 (24.61)	1.047 (26.59)		25	1.500 (38.10)	1.672 (42.47)	0.155 (3.94)
17	1.062 (26.97)	1.219 (30.96)					0.145 (3.68)

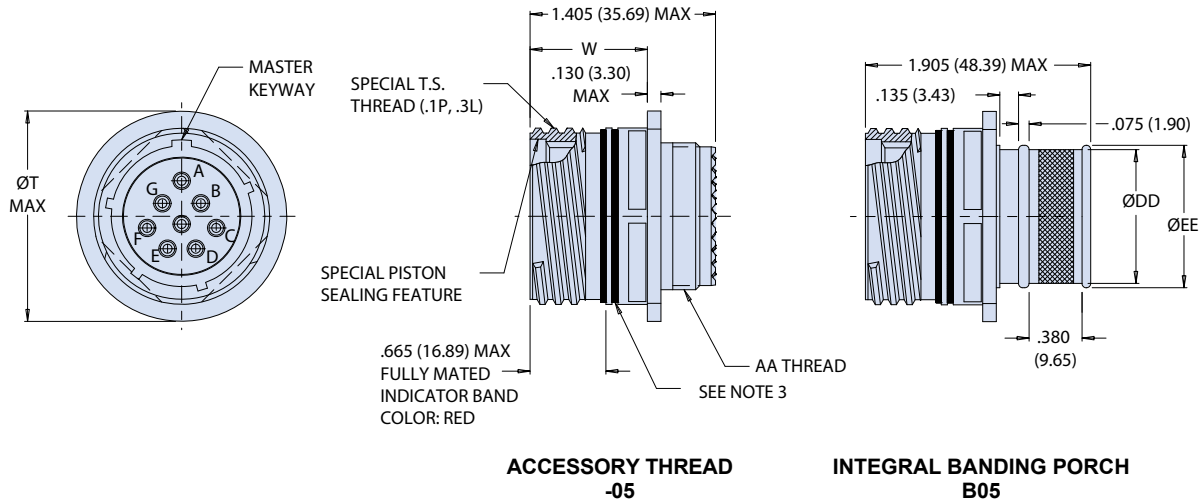


**MIL-DTL-38999 Series III Type**

**233-274 1K PSI crimp-contact piston-sealed connectors, fuel-resistant**

ENVIRONMENTAL CONNECTORS

**-05 AND B05 - IN-LINE RECEPTACLE WITH ACCESSORY THREADS OR BANDING PORCH, CRIMP CONTACTS**



**ACCESSORY THREAD  
-05**

**INTEGRAL BANDING PORCH  
B05**

Dimensions			
Shell Size	ØT Max	W	AA Thread
09	0.858 (21.79)	0.965 (24.51) 0.916 (23.27)	M12 X 1.0-6g 0.100R
11	0.984 (24.99)		M15 X 1.0-6g 0.100R
13	1.157 (29.39)		M18 X 1.0-6g 0.100R
15	1.280 (32.51)		M22 X 1.0-6g 0.100R
17	1.406 (35.71)		M25 X 1.0-6g 0.100R
19	1.516 (38.51)	0.935 (23.75) 0.886 (22.50)	M28 X 1.0-6g 0.100R
21	1.642 (41.71)		M31 X 1.0-6g 0.100R
23	1.768 (44.91)		M34 X 1.0-6g 0.100R
25	1.890 (48.01)		M37 X 1.0-6g 0.100R

Band Platform Dimensions			
Shell Size Code	Shell Size	øDD	øEE
A	9	.475 (12.07)	.538 (13.67)
B	11	.600 (15.24)	.662 (16.81)
C	13	.700 (17.78)	.762 (19.35)
D	15	.835 (21.21)	.898 (22.81)
E	17	.960 (24.38)	1.022 (25.96)
F	19	1.062 (26.97)	1.125 (28.58)
G	21	1.188 (30.18)	1.250 (31.75)
H	23	1.275 (32.39)	1.338 (33.99)
J	25	1.475 (37.47)	1.538 (39.07)