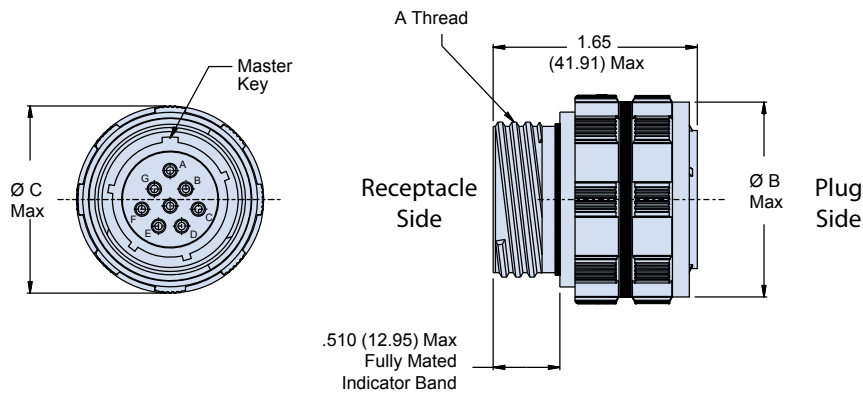


MIL-DTL-38999 Series III Type 233-213 Sav-Con® in-line connector saver

ENVIRONMENTAL IN-LINE WITH PIN/PIN AND SOCKET/SOCKET OPTIONS PLUS INDEPENDENT ALTERNATE POLARIZATION

Part Number Development							
Sample Part Number	233-213	-NF	17-8	P	N	S	N
Series / Basic Part No.	233-213 = Sav-Con Connector Saver, High Reliability class						
Finish	NF = Cadmium Olive Drab ME = Electroless Nickel MT = Nickel PTFE ZR = Black Zinc Nickel Consult factory for additional finish options						
Shell Size - Insert Arrangement*	Per MIL-STD-1560; see page 54						
Contact Style (Plug Side)	P = Pin, gold, 500 cycles S = Socket, gold, 500 cycles See Notes 3 and 4						
Alternate Polarization* (Plug Side)	A, B, C, D, E, N = Normal, U = Universal see note 6						
Contact Style (Receptacle Side)	P = Pin, gold, 500 cycles S = Socket, gold, 500 cycles See Notes 3 and 4						
Alternate Polarization* (Receptacle Side)	A, B, C, D, E, N = Normal, U = Universal; See Note 6						

*Refer to Section A for complete details



Dimensions				
Shell Size Code	Shell Size	A Thread	Ø B Max	Ø C Max
A	9	.6250 – 0.1P – 0.3L – TS-2A	.811 (20.60)	.858 (21.79)
B	11	.7500 – 0.1P – 0.3L – TS-2A	.929 (23.60)	.984 (24.99)
C	13	.8750 – 0.1P – 0.3L – TS-2A	1.110 (28.19)	1.157 (29.39)
D	15	1.0000 – 0.1P – 0.3L – TS-2A	1.232 (31.29)	1.280 (32.51)
E	17	1.1875 – 0.1P – 0.3L – TS-2A	1.358 (34.49)	1.406 (35.71)
F	19	1.2500 – 0.1P – 0.3L – TS-2A	1.469 (37.31)	1.516 (38.51)
G	21	1.3750 – 0.1P – 0.3L – TS-2A	1.594 (40.49)	1.642 (41.71)
H	23	1.5000 – 0.1P – 0.3L – TS-2A	1.720 (43.69)	1.768 (44.91)
J	25	1.6250 – 0.1P – 0.3L – TS-2A	1.843 (46.81)	1.890 (48.01)

NOTES

- Glenair's 233-213 connector savers are designed to meet or exceed the mechanical dimensional, electrical, and environmental, requirements of MIL-DTL-38999, D38999/20, D38999/26, and MIL-STD-1560 except as shown and /or noted.
- Glenair connector savers mate with any QPL manufacturer's MIL-DTL-38999, series III plugs and receptacles that have the same shell size, insert arrangement, and polarization.
- For pin/pin and socket/socket, symmetrical insert layouts only.
- Power to a given contact on one end will result in power to a contact directly opposite, regardless of identification letter.
- Electrical safety limits must be established by user. Peak voltage, switching surge, transient, etc. should be used to determine the safety application.
- Alternate polarization 'U' (universal) is a non-standard/non-mil-spec option intended for test lab use only which allows for mating to any QPL manufacturer's MIL-DTL-38999, series III connector having the same shell size, insert arrangement, and mating contact size.
- Material/finish:
 - Barrel, coupling nut: see part number development, finish
 - detent spring: stainless steel/passivated
 - insulator: high grade rigid dielectric/N.A.
 - Seals: fluorosilicone blend/N.A.
 - Contacts: copper alloy/gold plated
- Signal power inserts only, see Section C, part number 233-228 for size 8 cavity options.