

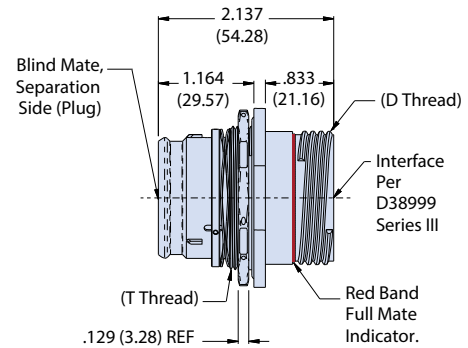
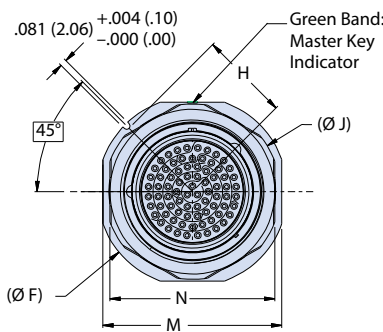
## MIL-DTL-38999 Series III Type space-grade blind-mate 253-018 bulkhead feed-thru, ZEF plug, D38999 B-side

ENVIRONMENTAL CONNECTORS

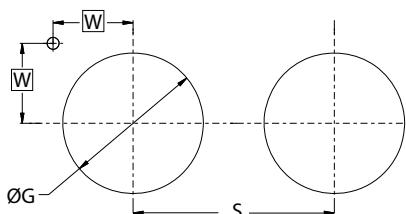
Part Number Development						
Sample Part Number	253-018	-07	ME	25-35	PP	N
Series / Basic Part No.	253-018 = Blind-mate feed-thru					
Connector Style	-07 = Jam-nut mount, feed-thru plug (fixed) with rear D38999 type receptacle interface -G6 = In-line plug with rear D38999 type plug interface and EMI spring					
Material/Finish	ME = Aluminum, electroless nickel    ZL = CRES, electrodeposited nickel MT = Aluminum, nickel PTFE        Z1 = CRES, passivated					
Shell Size-Insert Arrangement*	Per MIL-STD-1560					
Contact Type	PP = Pin on both sides            BSDP = Blind-mate side socket - D38999 side pin SS = Socket on both sides        BPDS = Blind-mate side pin - D38999 side socket					
Alternate Polarization*	A = 40°, B = 65°, C = 80°, D = 210°, E = 250°, F = 280°, G = 310°, H = 330°, N = 135° (Normal) Per L°. G6 only Refers to blind mate side. Plug/Receptacle side per MIL-DTL-38999					

\*Refer to section A for complete details. Refer to Space-Grade Guidelines material (IAW NASA EEE INST-002) for outgassing and screening modification codes, on pages 60 and 61. Modification codes may be added directly to the end of any valid part number

### 253-018-07 BLIND-MATE FEED-THRU, JAM-NUT MOUNT PLUG WITH B-SIDE D38999 TYPE RECEPTACLE MATING INTERFACE AND ASSISTED KICK-OFF (SPRING FORCE)



Dimensions							
Shell Size	F Flange	H (End of Slot) [+0/-0.008 (-.20)]	Ø J, Jam Nut	N, Jam Nut Flat	M, Flange Flats ±.010 (±.25)	T Thread Class 2A	D Thread 0.1P-0.3L-TS-2
13	1.515 (38.48)	.666 (16.92)	1.375 (34.93)	1.175 (29.85)	1.430 (36.32)	1.000-20 UNEF	0.875 (22.23)
15	1.636 (41.55)	.729 (18.52)	1.500 (38.10)	1.300 (33.02)	1.500 (38.10)	1.125-18 UNEF	1.000 (25.40)
21	2.065 (52.45)	.955 (24.26)	1.875 (47.63)	1.688 (42.88)	1.930 (49.02)	1.500-18 UNEF	1.375 (34.92)
23	2.200 (55.88)	1.017 (25.83)	2.063 (52.40)	1.875 (47.63)	2.060 (52.32)	1.625-18 UNEF	1.500 (38.10)
25	2.316 (58.83)	1.096 (27.84)	2.141 (54.38)	2.010 (51.05)	2.180 (55.37)	1.750-18 UNS	1.625 (41.28)

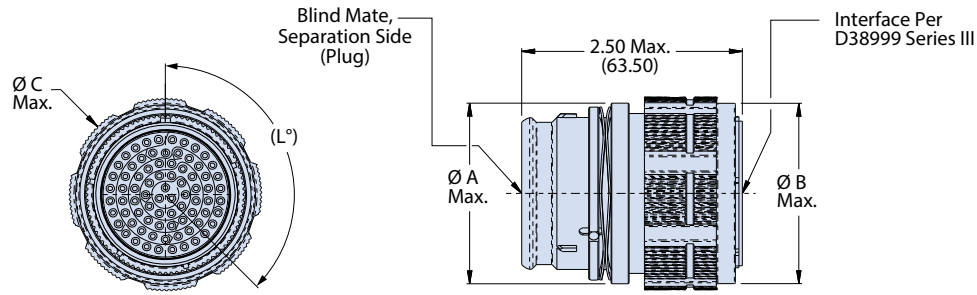


Panel Cut-Out			
Shell Size	Ø G, Thru Hole ±.004	W (Basic)	S
13	1.009 (25.63)	.504 (12.80)	1.460 (37.08)
15	1.134 (28.80)	.549 (13.94)	1.545 (39.24)
21	1.509 (38.33)	.709 (18.01)	1.995 (50.67)
23	1.634 (41.50)	.753 (19.13)	2.120 (53.85)
25	1.759 (44.68)	.809 (20.55)	2.315 (58.80)

**MIL-DTL-38999 Series III Type space-grade blind-mate  
253-018 Bulkhead feed-thru, ZEF plug, D38999 B-side**

ENVIRONMENTAL CONNECTORS

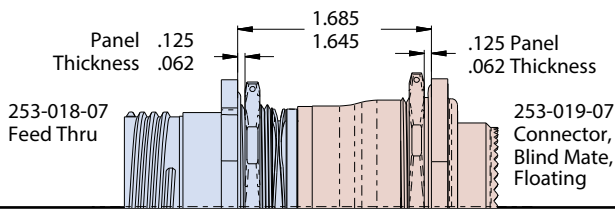
**253-018-G6 BLIND-MATE IN-LINE PLUG WITH B-SIDE D38999 TYPE PLUG MATING INTERFACE AND ASSISTED KICK-OFF (SPRING FORCE)**



Dimensions for 253-018-G6 Plug			
Shell Size	Ø A Max	Ø B Max.	Ø C Max
11	.835 (21.21)	.855 (21.72)	1.000 (25.40)
13	1.020 (25.91)	1.025 (26.03)	1.175 (29.85)
15	1.145 (29.08)	1.155 (29.34)	1.295 (32.89)
23	1.645 (41.78)	1.645 (41.78)	1.765 (44.83)
25	1.770 (44.96)	1.770 (44.96)	1.890 (48.01)

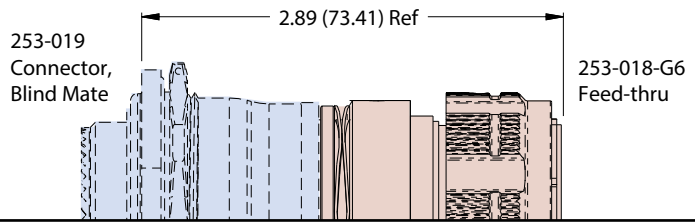
**Distance between mated flanges.**

For reference only (not deliverable)



**Distance between mated connectors.**

For reference only (not deliverable)



**NOTES:**

- Mates with 253-019 and D38999 series III connectors with same insert arrangement and polarization
- Distance between mated mounting flanges: 1.685/1.645. Consult manufacturer if other distance between mated mounting flanges is required
- Misalignment capabilities are possible with mated pair reference Glenair connector 253-019.
- See Space-Grade guidelines material, in this section, for outgassing/screening options available
- Stainless steel locating pin (Ø.079) shipped with each -07 jam-nut receptacle connector
- For feed-thru connector configurations that are either pin/pin or socket/socket, the position identification/ marking on the D38999 side of the connector will be as shown in MIL-STD-1560. The blind mate separation side will be the reverse identification marking
- Blind mate side mates with 253-019 with reverse silkscreen marking for contact type PP (pin on both sides) or SS (socket on both sides)
- Kick-off spring is not intended to offset all of the contact retention force for each insert arrangement
- Material/finish
  - Shell, jam-nut coupling nut: see part number development, finish
  - Spring: CRES/passivated
  - Insulators: high grade rigid dielectric/N.A.
  - O-ring: fluorosilicone blend
  - Contacts: copper alloy/gold plated