

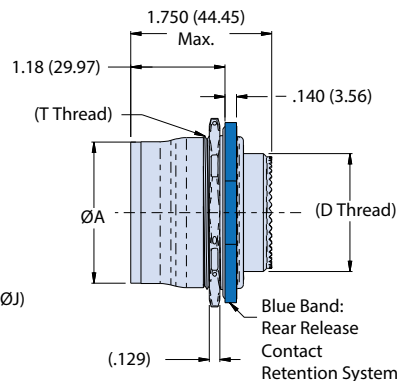
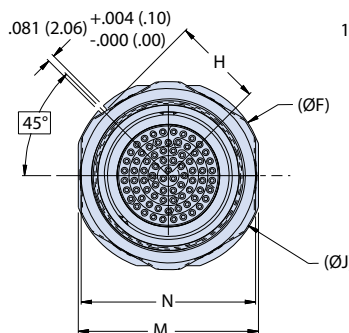
## MIL-DTL-38999 Series III Type space-grade blind-mate 253-019 Jam-nut receptacle, mates with 253-018 BFT

ENVIRONMENTAL CONNECTORS

Part Number Development									
Sample Part Number	253-019				-07	ME	25-35	S	N
Series / Basic Part No.	253-019 = Blind-mate receptacle for use with 253-018 & 253-053-07 bulkhead feed-thru								
Connector Mounting	07 = Jam-nut mount (float mount), receptacle 007 = Jam-nut mount (float mount), receptacle; reverse silkscreen marking								
Material/Finish	ME = Aluminum, electroless nickel    ZL = CRES, electrodeposited nickel MT = Aluminum, nickel PTFE        Z1 = CRES, passivated								
Shell Size-Insert Arrangement*	Per MIL-STD-1560; symmetrical layouts only, consult factory for complete details								
Contact Type	S = Socket, crimp removable    P = Pin, crimp removable								
Alternate Polarization*	A = 40°, B = 65°, C = 80°, D = 210°, E = 250°, F = 280°, G = 310°, H = 330°, N = 135° (Normal) Per L°. G6 only Refers to blind mate side. Plug/Receptacle side per MIL-DTL-38999								

\*Refer to section A for complete details. Refer to Space-Grade Guidelines material (IAW NASA EEE INST-002) for outgassing and screening modification codes, on pages 60 and 61. Modification codes may be added directly to the end of any valid part number

### 253-019 FLOATING JAM-NUT MOUNT RECEPTACLE WITH MISALIGNMENT ACCOMMODATION AND OPTIONAL SEALING: MATES WITH 253-018 BULKHEAD FEED-THRU



Blue Band:  
Rear Release  
Contact  
Retention System

Dimensions for 253-019-07 Jam Nut Receptacle								
Shell Size	F Flange	H (End of Slot) 0.0/-0.008(0.0/-0.20)	Ø J Jam Nut	N, Jam Nut Flat ±.010 (±.25)	M, Flange Flats ±.010 (±.25)	T Thread Class 2A	D Thread Class 2A	Ø A ±.010 (±.25)
11	1.500 (38.10)	0.666 (16.92)	1.375 (34.93)	1.175 (29.85)	1.260 (32.00)	1.000-20 UNEF	.5625-24	0.845 (21.46)
13	1.640 (41.66)	0.729 (18.52)	1.500 (38.10)	1.300 (33.02)	1.390 (35.31)	1.125-18 UNEF	.6875-24	.970 (24.64)
15	1.750 (44.45)	0.791 (20.09)	1.625 (41.28)	1.450 (36.83)	1.515 (38.48)	1.250-18 UNEF	.8125-20	1.105 (28.07)
21	2.180 (55.37)	1.017 (25.83)	2.063 (52.40)	1.875 (47.63)	1.955 (49.66)	1.625-18 UNEF	1.1875-18	1.475 (37.47)
23	2.315 (58.80)	1.076 (27.33)	2.141 (54.38)	2.010 (51.05)	2.080 (52.83)	1.750-18 UNS	1.3125-18	1.595 (40.51)
25	2.330 (59.18)	1.100 (27.94)	2.300 (58.42)	2.125 (53.98)	2.195 (55.75)	1.875-16 UN	1.4375-18	1.720 (43.69)

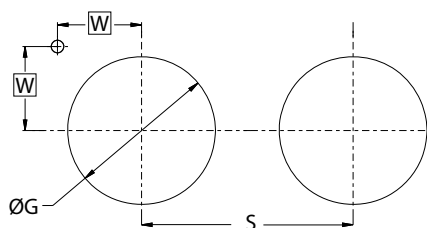
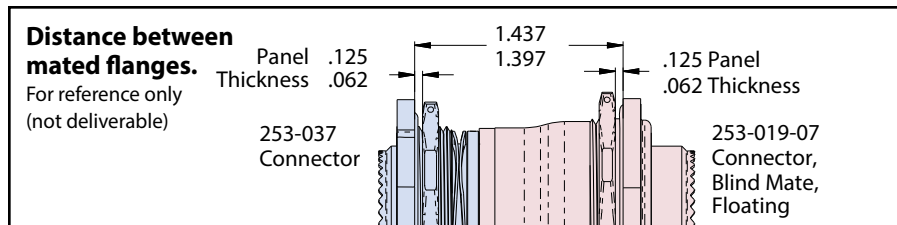
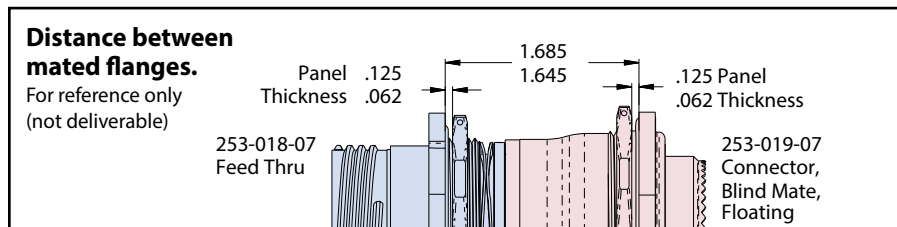
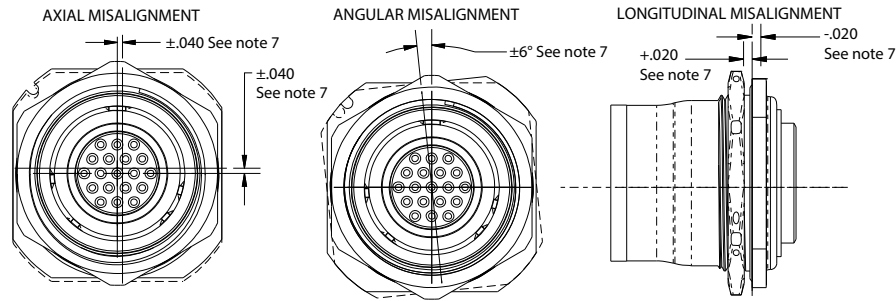


Table IV 253-019-07 Panel Cut-Out		
Shell Size	Ø G, Thru-Hole ±.004	W (Basic)
11	1.007 (25.58)	.504 (12.80)
13	1.134 (28.80)	.549 (13.94)
15	1.259 (31.98)	.593 (15.06)
21	1.634 (41.50)	.753 (19.13)
23	1.759 (44.68)	.797 (20.24)
25	1.884 (47.85)	.810 (20.57)

**MIL-DTL-38999 Series III Type space-grade blind-mate 253-019 jam-nut receptacle, mates with 253-018 BFT**

ENVIRONMENTAL CONNECTORS

**253-019 Misalignment Capabilities**



**NOTES:**

- Connector mates with Glenair 253-018 and 253-037 fixed series connectors having same insert arrangement and polarization.
- Distance between mated mounting flanges as shown. Consult manufacturer if other distance between mated mounting flanges is required.
- Misalignment capability as shown.
- See Space-Grade guidelines material, in this section, for outgassing/screening options available
- Stainless steel locating pin ( $\varnothing.079$ ) shipped with each connector
- Contact factory for PC tail versions.
- Dimensions and features are intended for customer use only.
- Dimensions are reference only and not measured during final inspection at factory.
- Connector style 007, jam nut mount with reverse silkscreen marking is used when mating to 253-018 feed-thru connector that is contact type PP (pin on both sides) or SS (socket on both sides).
- Material/finish
  - Shell, jam-nut: see part number development, finish
  - Spring: CRES/passivated
  - Insulators: high grade rigid dielectric/N.A.
  - Seals: fluorosilicone blend, silicone
  - Contacts: copper alloy/gold plated