

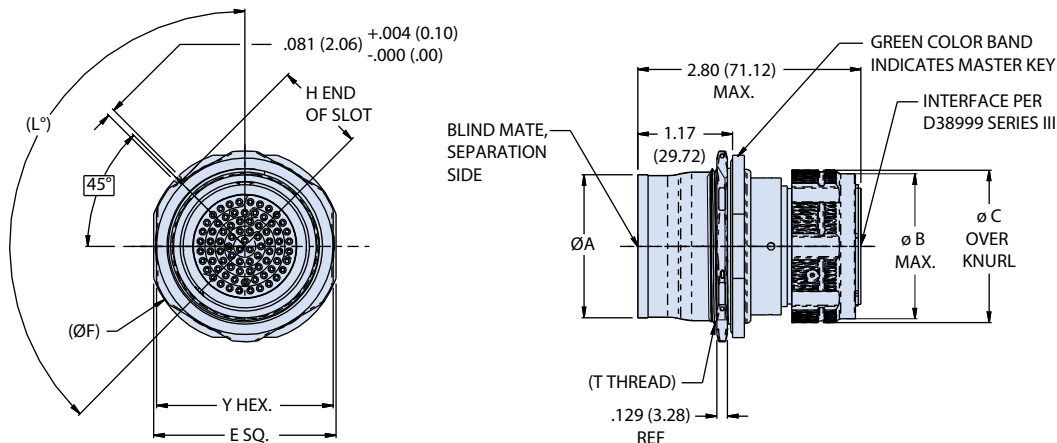
**MIL-DTL-38999 Series III Type space-grade blind-mate
253-033 Bulkhead feed-thru jam-nut receptacle, D38999 B-side**

ENVIRONMENTAL CONNECTORS

Part Number Development					
Sample Part Number	253-033	-07	ME	25-35	PP N
Series / Basic Part No.	253-033 = Floating jam-nut mount, feed-thru receptacle with rear D38999 Series III plug interface. Receptacle interface also available, contact factory				
Connector Style	-07 = Jam-nut mount, float mount				
Material/Finish	ME = Aluminum, electroless nickel ZL = CRES, electrodeposited nickel MT = Aluminum, nickel PTFE Z1 = CRES, passivated				
Shell Size-Insert Arrangement*	Per MIL-STD-1560; symmetrical layouts only, consult factory for complete details				
Contact Type	PP = Pin on both sides BSDP = Blind-mate side socket - D38999 side pin SS = Socket on both sides BPDS = Blind-mate side pin - D38999 side socket				
Alternate Polarization*	A = 40°, B = 65°, C = 80°, D = 210°, E = 250°, F = 280°, G = 310°, H = 330°, N = 135° (Normal) Per L°. Refers to blind mate side. Plug side per MIL-DTL-38999. See alternate polarizations table				

*Refer to section A for complete details. Refer to Space-Grade Guidelines material (IAW NASA EEE INST-002) for outgassing and screening modification codes, on pages 60 and 61. Modification codes may be added directly to the end of any valid part number

253-033 FLOAT MOUNT FEED-THRU, JAM NUT MOUNT RECEPTACLE TO 38999 TYPE SERIES III PLUG MATING INTERFACE



Alternate Polarizations	
ID	L°
N	135°
A	40°
B	65°
C	80°
D	210°
E	250°

Dimensions for 253-033								
Shell Size	Ø A Max	T Thread Class 2A	Y Hex Flats	E flange ±.016	ØF Flange	H End of Slot +0/-0.008	ØB Max	ØC Max
13	.978	1.1250-18 UNEF	1.300 (33.02)	1.391 (35.33)	1.641 (41.68)	.729 (18.52)	1.050 (26.67)	1.200 (30.48)
15	1.103	1.2500-18 UNEF	1.457 (37.01)	1.516 (38.51)	1.750 (44.45)	.791 (20.09)	1.180 (29.97)	1.320 (33.53)
23	1.603	1.7500-18 UNEF	2.010 (51.05)	2.078 (52.78)	2.312 (58.72)	1.072 (27.23)	1.670 (42.42)	1.790 (45.47)
25	1.728	1.8750-18 UNEF	2.125 (53.97)	2.200 (55.88)	2.327 (59.11)	1.096 (27.84)	1.800 (45.72)	1.920 (48.77)

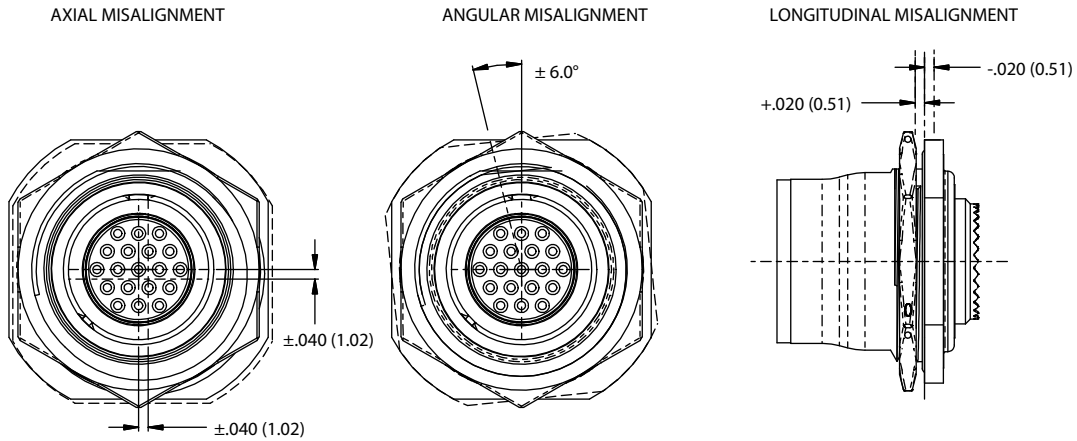
NOTES:

- Distance between mated mounting flanges: 1.808 Consult manufacturer other distance between mounting flanges is required
- See Space-Grade guidelines material, in this section, for outgassing/screening options available
- Stainless steel locating pin (Ø.079) shipped with each connector
- Misalignment capabilities are possible with mated pair reference Glenair connector 253-019

**MIL-DTL-38999 Series III Type space-grade blind-mate
253-033 Bulkhead feed-thru jam-nut receptacle, D38999 B-side**

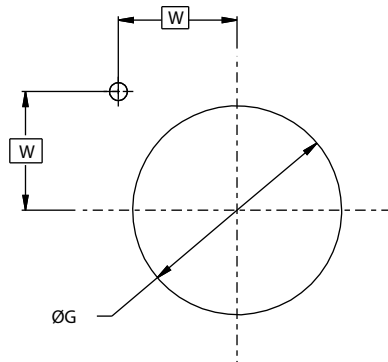
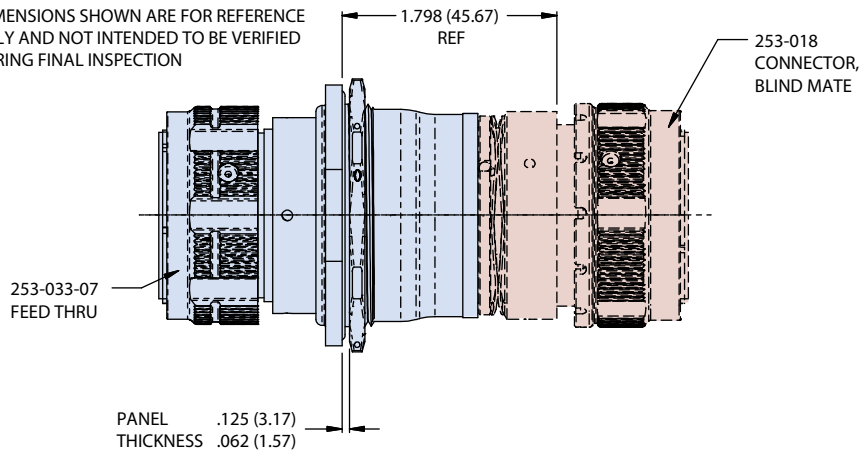
ENVIRONMENTAL CONNECTORS

MISALIGNMENT CAPABILITIES (see note 4)



Distance Between Mated Flanges

*DIMENSIONS SHOWN ARE FOR REFERENCE ONLY AND NOT INTENDED TO BE VERIFIED DURING FINAL INSPECTION



Recommended Panel Cut-out		
Shell Size	ØG , Thru Hole ± 0004 (0.10)	W Basic
13	1.134 (28.80)	.549 (13.94)
15	1.259 (31.98)	.593 (15.06)
23	1.759 (44.68)	.797 (20.24)
25	1.884 (47.85)	.809 (20.55)