



USB 3.2 TYPE A CONNECTORS

MIL-DTL-38999 Series III Type Connectors



233-380 Receptacle Connector with USB 3.2 Gen 2 (Type C) Female-to-Female Ports



All external dimensions, features, etc. compliant with D38999/20, /24, &/26. Consult factory for additional information.

233-380 Glenair SuperSeal™ USB 3.2 Female to Female Coupler

SuperSeal USB 3.2 connectors are IP67 open face rated and offer complete protection from environmental debris and water ingress common under harsh environmental conditions. Design meets USB 3.2 Gen 2 (Type C) benchmark data transfer rate requirements for read and write performance requirements.

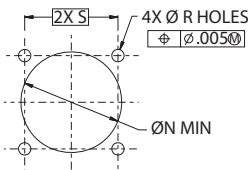
Part Number Development						
Sample Part Number	233-380	NF	00	-11	N	H
Basic Number	233-380					
Material / Finish	See Material and Finish table					
Connector Style	00 = Receptacle, Wall Mount, with Slotted Holes D0 = Receptacle, Wall Mount, Round Holes CM = Receptacle, Wall Mount with Metric Clinch Nuts CS = Receptacle, Wall Mount, with Standard Clinch Nuts 07 = Receptacle, Jam-Nut 05 = Receptacle, Inline					
Shell Size	11, 13					
Alternate Polarization	A, B, C, D, E, N = Normal					
USB Orientation	H = Horizontal V = Vertical					

Material and Finish		
Sym.	Material	Finish Description
NF		cadmium, olive drab
ME	aluminum	electroless nickel (96 hour salt spray)
ZR		zinc nickel, black (tri-valent chromium) RoHS compliant
XM	composite	electroless nickel
Z1	SST	passivate
AB	marine bronze	none (clean only)

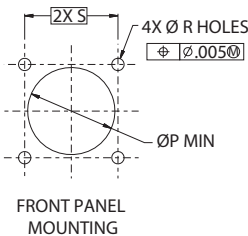
Consult factory for other options

Wall Mount Dimensions						
SHELL SIZE	A THREAD	B SQ	B' SQ	C BSC	D BSC	E THREAD
11	.7500-.1P-.3L-TS-2A	1.043 (26.49) 1.019 (25.88)	1.132 (28.75) 1.092 (27.74)	0.812 (20.62)	0.719 (18.26)	M15 X 1.0-6g 0.100R
13	.8750-.1P-.3L-TS-2A	1.138 (28.91) 1.114 (28.30)	1.226 (31.14) 1.186 (30.12)	0.906 (23.01)	0.812 (20.62)	M18 X 1.0-6g 0.100R

Back panel mounting



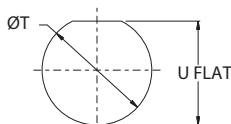
Recommended mounting holes panel thickness .288 max (See panel cutout and wall mount dimensions)



Jam Nut Mount & Inline Dimensions							
SHELL SIZE	F THREAD	ØG	H	J FLAT	K THREAD	L THREAD	ØM MAX
11	.7500-.1P-.3L-TS-2A	1.386 (35.20) 1.362 (34.59)	1.268 (32.21) 1.236 (31.39)	0.755 (19.18) 0.745 (18.92)	M20 X 1.0-6g 0.100R	M15 X 1.0-6g 0.100R	0.984 (24.99)
13	.8750-.1P-.3L-TS-2A	1.512 (38.40) 1.488 (37.80)	1.390 (35.31) 1.358 (34.49)	0.942 (23.93) 0.932 (23.67)	M25 X 1.0-6g 0.100R	M18 X 1.0-6g 0.100R	1.157 (29.39)

Panel Cutout & Wall Mount Dimensions						
SHELL SIZE	ØN MIN	ØP MIN	R HOLES	S BSC	ØT	U FLAT
11	0.796 (20.22)	0.625 (15.88)	0.133 (3.38) 0.123 (3.12)	0.812 (20.62)	0.835 (21.21) 0.825 (20.96)	0.771 (19.58) 0.761 (19.33)
13	0.922 (23.42)	0.750 (19.05)		0.906 (23.01)	1.020 (25.91) 1.010 (25.65)	0.955 (24.26) 0.945 (24.00)

Recommended panel cut out for jam-nut receptacle



NOTES

1. Meets IP67 in unmated condition, IP68 mated
2. Operating temperature: -20°C to +85°C



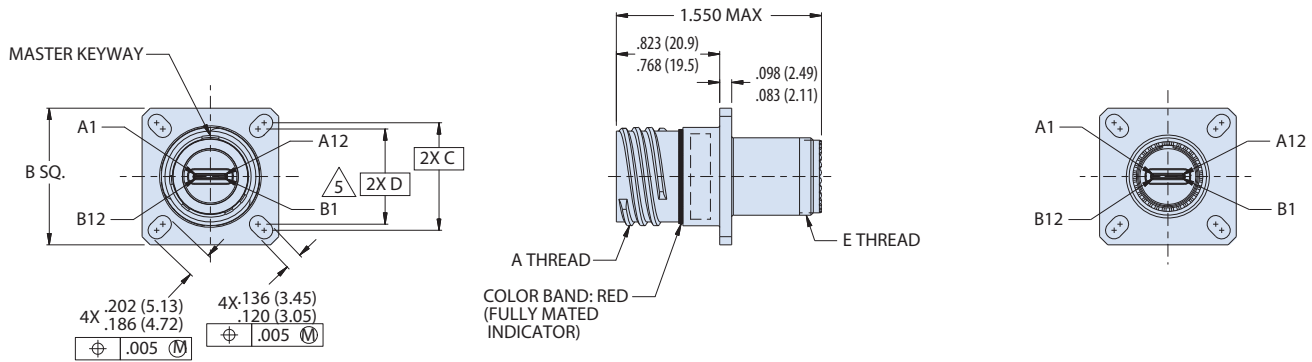
USB 3.2 TYPE A CONNECTORS

MIL-DTL-38999 Series III Type Connectors

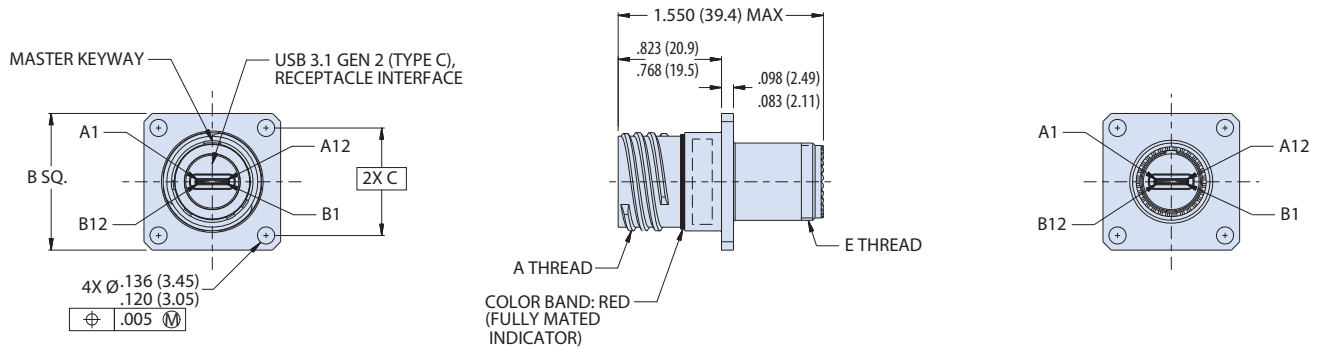


233-380 Receptacle Connector with USB 3.2 Gen 2 (Type C) Female-to-Female Ports

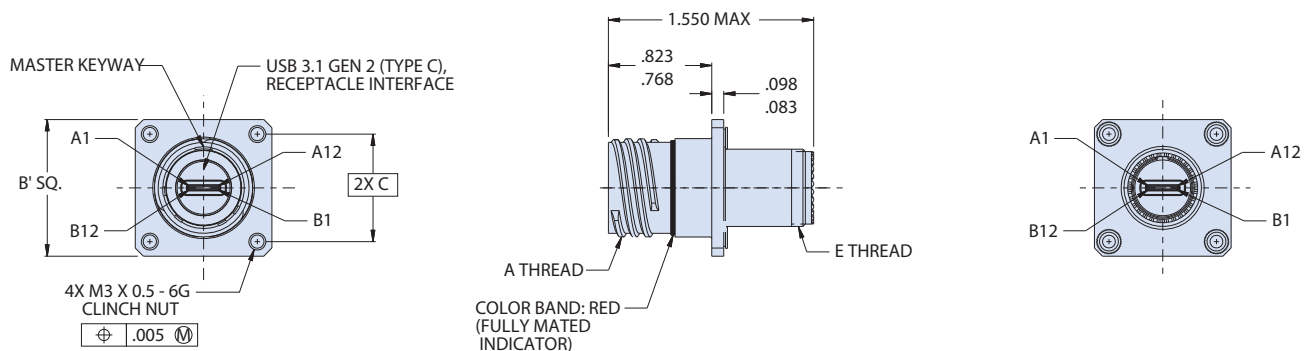
00 - WALL MOUNT RECEPTACLE WITH SLOTTED HOLES



D0 - WALL MOUNT RECEPTACLE WITH ROUND HOLES



CM - WALL MOUNT RECEPTACLE WITH METRIC CLINCH NUTS





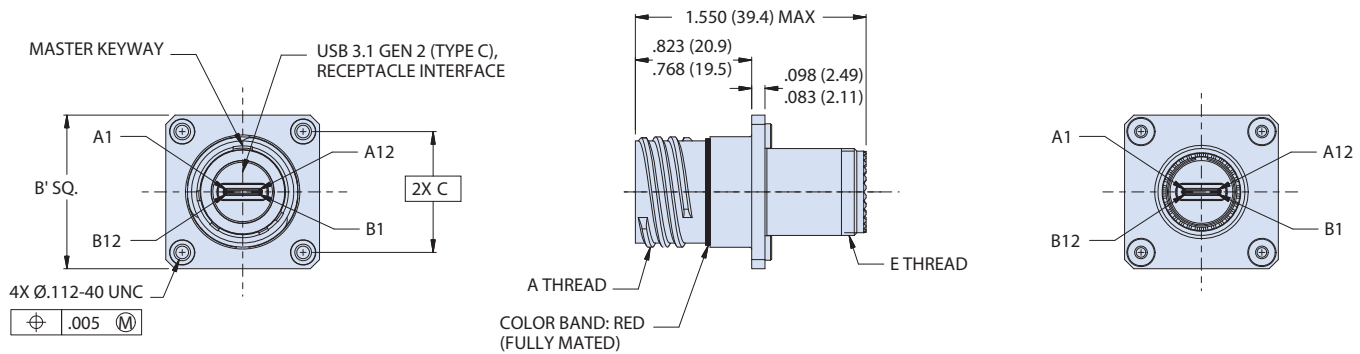
USB 3.2 TYPE A CONNECTORS

MIL-DTL-38999 Series III Type Connectors

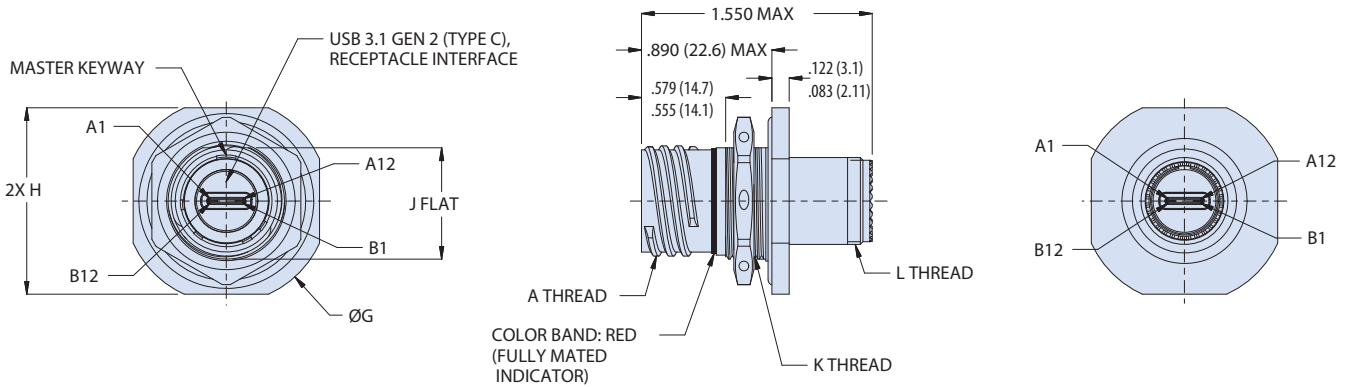


233-380 Receptacle Connector with USB 3.2 Gen 2 (Type C) Female-to-Female Ports

CS - WALL MOUNT RECEPTACLE WITH STANDARD CLINCH NUTS



07 - JAM NUT MOUNT RECEPTACLE



05 - INLINE RECEPTACLE

