



# USB 3.2 TYPE A CONNECTORS

## MIL-DTL-38999 Series III Type Connectors



### 233-382 Receptacle Connector with Female USB 3.2 Gen 2 (Type C) Port to PC Tail Termination

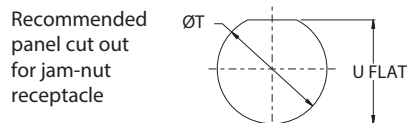
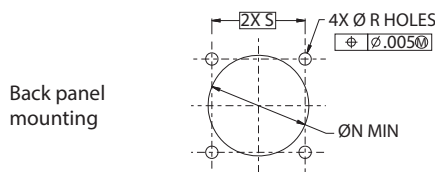


All external dimensions, features, etc. compliant with D38999/20, /24, &/26. Consult factory for additional information.

Material and Finish		
Sym.	Material	Finish Description
NF	aluminum	cadmium, olive drab
ME		electroless nickel (96 hour salt spray)
ZR		zinc nickel, black (tri-valent chromium) RoHS compliant
XM		composite electroless nickel
Z1	SST	passivate
AB	marine bronze	none (clean only)

Consult factory for other options

#### PANEL CUTOUT DIMENSIONS



#### 233-382 Glenair SuperSeal™ USB 3.2 Connector with PC Tails

SuperSeal USB 3.2 connectors are IP68 open face rated and offer complete protection from environmental debris and water ingress common under harsh environmental conditions. Design meets USB 3.2 Gen 2 (Type C) benchmark data transfer rate requirements for read and write performance requirements.

Part Number Development					
Sample Part Number	233-382	NF	00	-11	N
Basic Number	233-382				
Material / Finish	See Material and Finish table				
Connector Style	00 = Receptacle, Wall Mount, with Slotted Holes D0 = Receptacle, Wall Mount, Round Holes CM = Receptacle, Wall Mount with Metric Clinch Nuts CS = Receptacle, Wall Mount, with Standard Clinch Nuts 07 = Receptacle, Jam-Nut				
Shell Size	11, 13				
Alternate Polarization	A, B, C, D, E, N = Normal				

Wall Mount Dimensions					
SHELL SIZE	A THREAD	B SQ	B' SQ	C BSC	D BSC
11	.7500-.1P-.3L-TS-2A	1.043 (26.49) 1.019 (25.88)	1.132 (28.75) 1.092 (27.74)	0.812 (20.62)	0.719 (18.26)
13	.8750-.1P-.3L-TS-2A	1.138 (28.91) 1.114 (28.30)	1.226 (31.14) 1.186 (30.12)	0.906 (23.01)	0.812 (20.62)

Jam Nut Mount & Inline Dimensions					
SHELL SIZE	F THREAD	ØG	H	J FLAT	K THREAD
11	.7500-.1P-.3L-TS-2A	1.386 (35.20) 1.362 (34.59)	1.268 (32.21) 1.236 (31.39)	0.755 (19.18) 0.745 (18.92)	M20 X 1.0-6g 0.100R
13	.8750-.1P-.3L-TS-2A	1.512 (38.40) 1.488 (37.80)	1.390 (35.31) 1.358 (34.49)	0.942 (23.93) 0.932 (23.67)	M25 X 1.0-6g 0.100R

Panel Cutout & Wall Mount Dimensions						
SHELL SIZE	ØN MIN	ØP MIN	R HOLES	S BSC	ØT	U FLAT
11	0.796 (20.22)	0.625 (15.88)	0.133 (3.38) 0.123 (3.12)	0.812 (20.62)	0.835 (21.21) 0.825 (20.96)	0.771 (19.58) 0.761 (19.33)
13	0.922 (23.42)	0.750 (19.05)		0.906 (23.01)	1.020 (25.91) 1.010 (25.65)	0.955 (24.26) 0.945 (24.00)

#### NOTES

1. Meets IP67 in unmated condition, IP68 mated
2. Front panel mount only
3. Operating temperature: -20°C to +85°C



# USB 3.2 TYPE A CONNECTORS

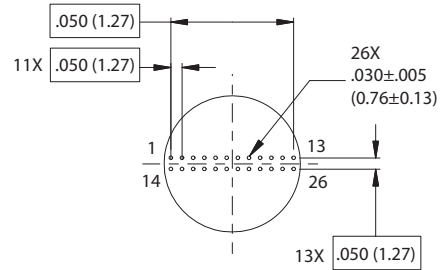
## MIL-DTL-38999 Series III Type Connectors



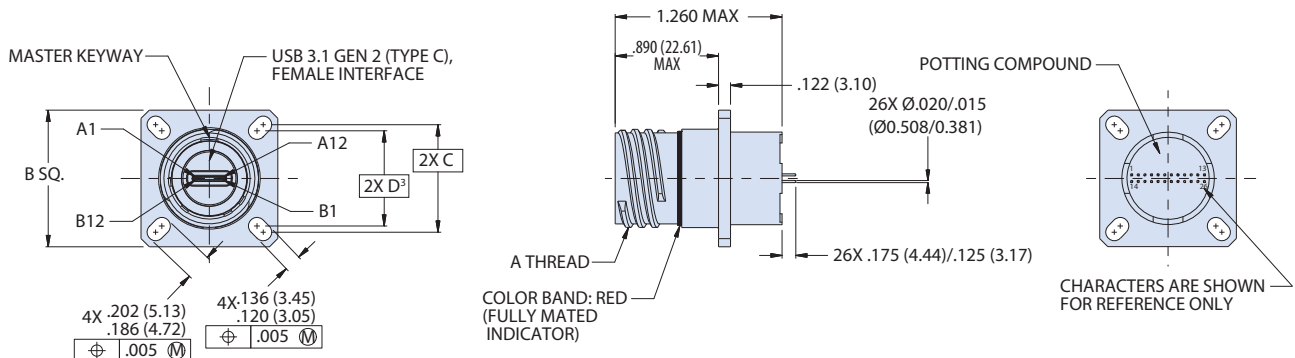
### 233-382 Receptacle Connector with Female USB 3.2 Gen 2 (Type C) Port to PC Tail Termination

PC TAIL PINS TO USB TYPE-C WIRING					
PC TAIL PIN	USB C PIN	NAME	PC TAIL PIN	USB C PIN	NAME
1	A4,A9,B4,B9	VBUS	14	A4,A9,B4,B9	VBUS
2	A5	cc1	15	B5	CC2
3	A8	SBU1	16	B8	SBU2
4	A11	RX2+	17	B2	TX2+
5	A10	RX2-	18	B3	TX2-
6	A1,A12,B1,B12	GND	19	A1,A12,B1,B12	GND
7	A7	D-	20	B6	D2+
8	A6	D+	21	B7	D2-
9	A1,A12,B1,B12	GND	22	A1,A12,B1,B12	GND
10	A3	TX1-	23	B10	RX1-
11	A2	TX1+	24	B11	RX1+
12	A1,A12,B1,B12	GND	25	A1,A12,B1,B12	GND
13	A4,A9,B4,B9	VBUS	26	A4,A9,B4,B9	VBUS

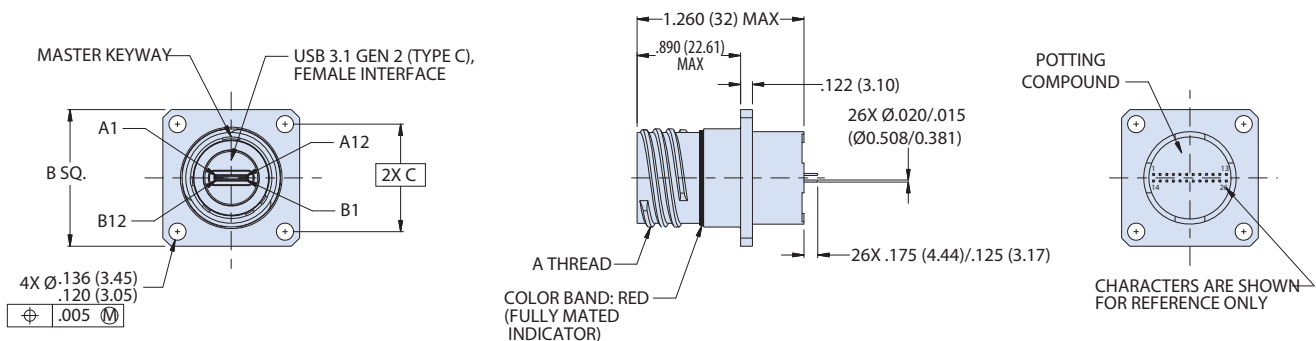
#### PCB LAYOUT (SOLDER SIDE)



#### 00 - WALL MOUNT RECEPTACLE WITH SLOTTED HOLES



#### D0 - WALL MOUNT RECEPTACLE WITH ROUND HOLES





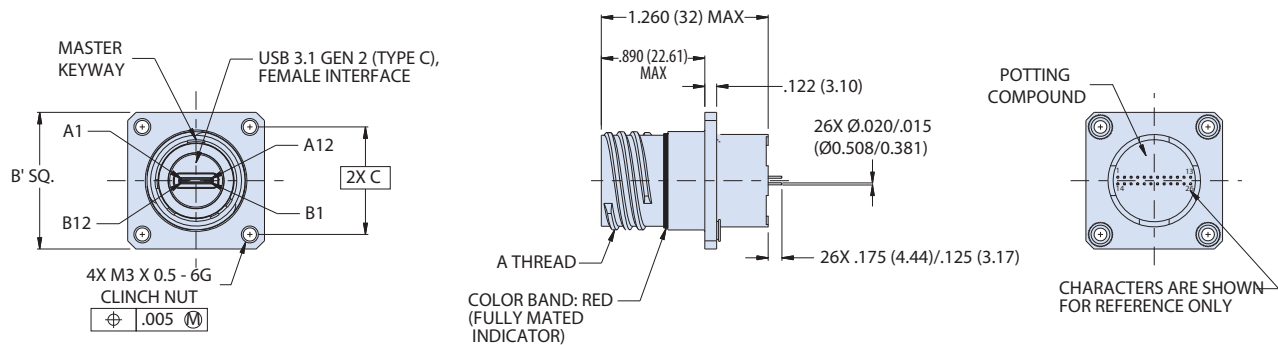
# USB 3.2 TYPE A CONNECTORS

## MIL-DTL-38999 Series III Type Connectors

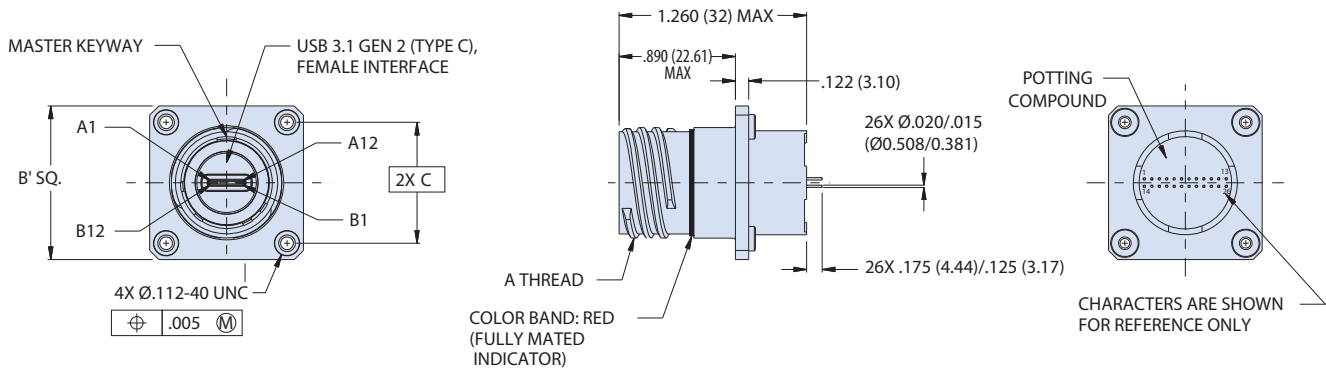


### 233-382 Receptacle Connector with Female USB 3.2 Gen 2 (Type C) Port to PC Tail Termination

#### CM - WALL MOUNT RECEPTACLE WITH METRIC CLINCH NUTS



#### CS - WALL MOUNT RECEPTACLE WITH STANDARD CLINCH NUTS



#### 07 - JAM NUT MOUNT RECEPTACLE

