



USB 3.2 TYPE A CONNECTORS

MIL-DTL-38999 Series III Type Connectors



233-388 Drive-Thru Plug Connector with Male USB 3.2 Gen 2 (Type C) Plug

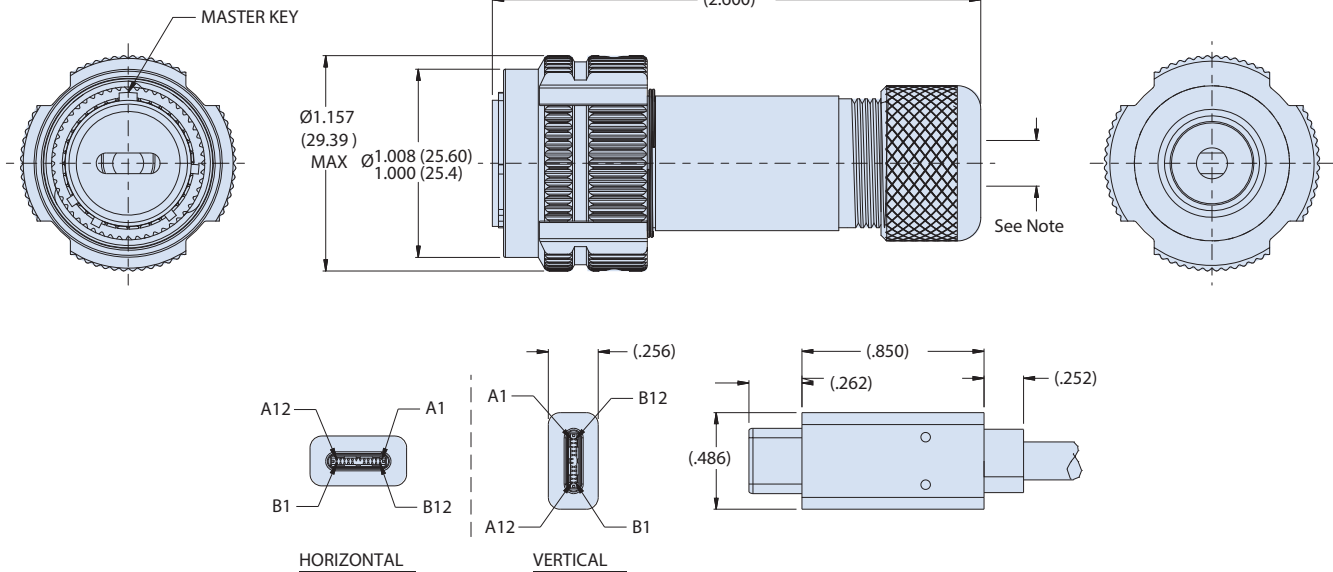
233-388 Glenair SuperSeal™ USB 3.2 Plug

SuperSeal USB 3.2 connectors are IP67 in mated condition and offer complete protection from environmental debris and water ingress common under harsh environmental conditions. Drive-thru design utilizes USB 3.2 commercially available cabled connector with nominal outside diameter of 0.189 (4.8). Meets USB 3.2 Gen 2 (Type C) benchmark data transfer rate requirements for read and write performance requirements.



All external dimensions, features, etc. compliant with D38999/20, /24, &/26. Consult factory for additional information.

Part Number Development						
Sample Part Number	233-388	NF	G6	-13	N	H
Basic Number	233-388					
Material / Finish	See Table I					
Connector Style	G6 = Plug					
Shell Size	13					
Alternate Polarization	A, B, C, D, E, N = Normal					
USB Orientation	H = Horizontal V = Vertical					



Recommended USB 3.1 Type C Plug Overmold Design

Table I: Material and Finish		
Sym.	Material	Finish Description
NF	aluminum	cadmium, olive drab
ME		electroless nickel (96 hour salt spray)
ZR		zinc nickel, black (tri-valent chromium) RoHS compliant
XM	composite	electroless nickel
Z1	SST	passivate
AB	marine bronze	none (clean only)

Consult factory for other options

NOTES

1. IP68 in mated condition
2. Design accommodates cable outside diameter of 0.1879 (4.8) nominal
3. Operating Temperature: -20° C to +85° C